



Selecting the Best ESInet System for Your Needs

Chad Brothers
Client Services Manager
Comtech

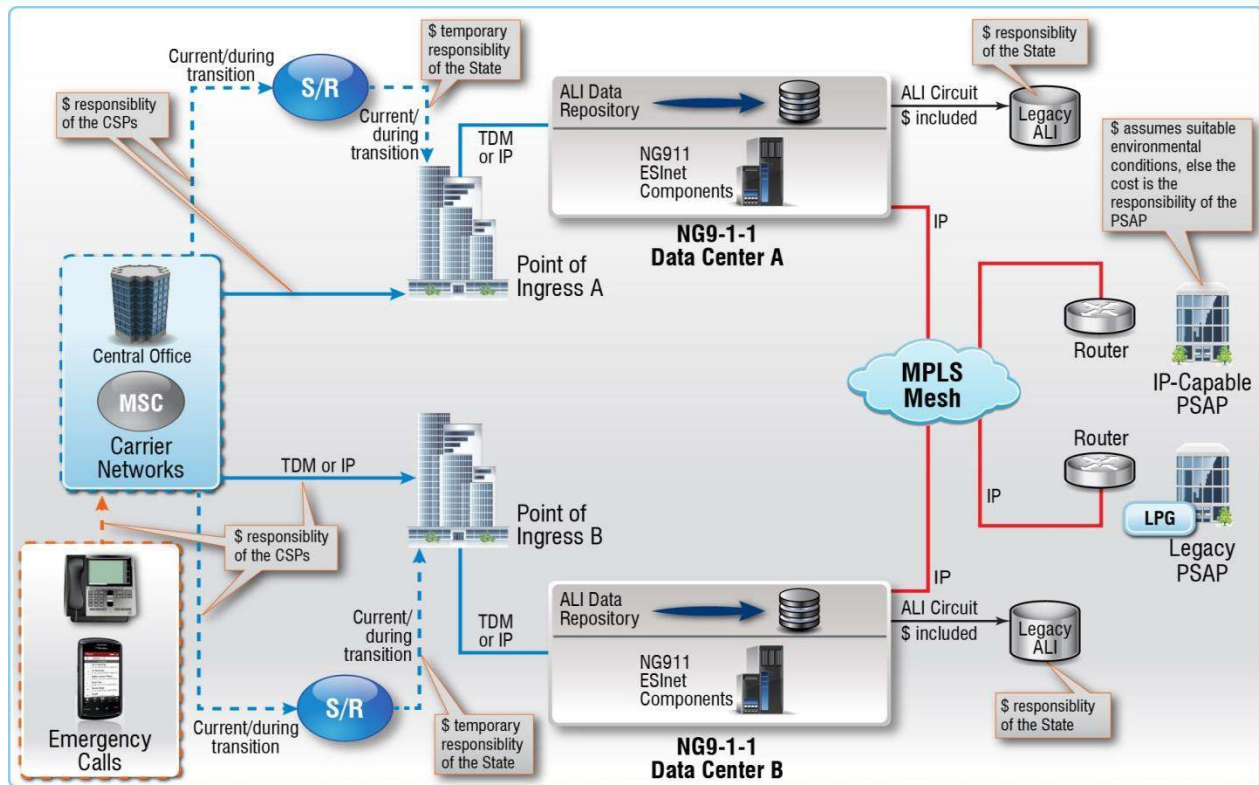
So, you want your very own ESInet?

What Questions Do You Need To Be Asking?

- Networking
- Call Routing
- Call Handling
- Security
- GIS
- Operations

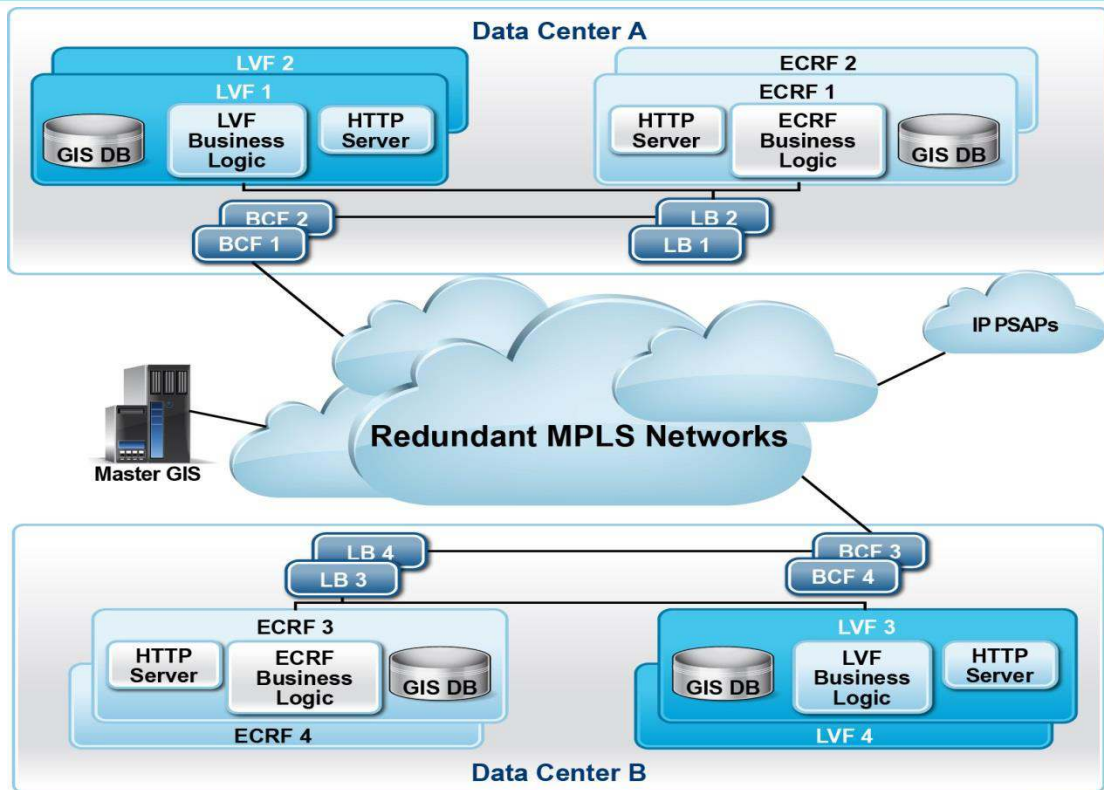
Networking

- Last Mile
 - Fiber / Copper
- State and Local networks
- LEC
 - IP
 - MPLS
 - TDM



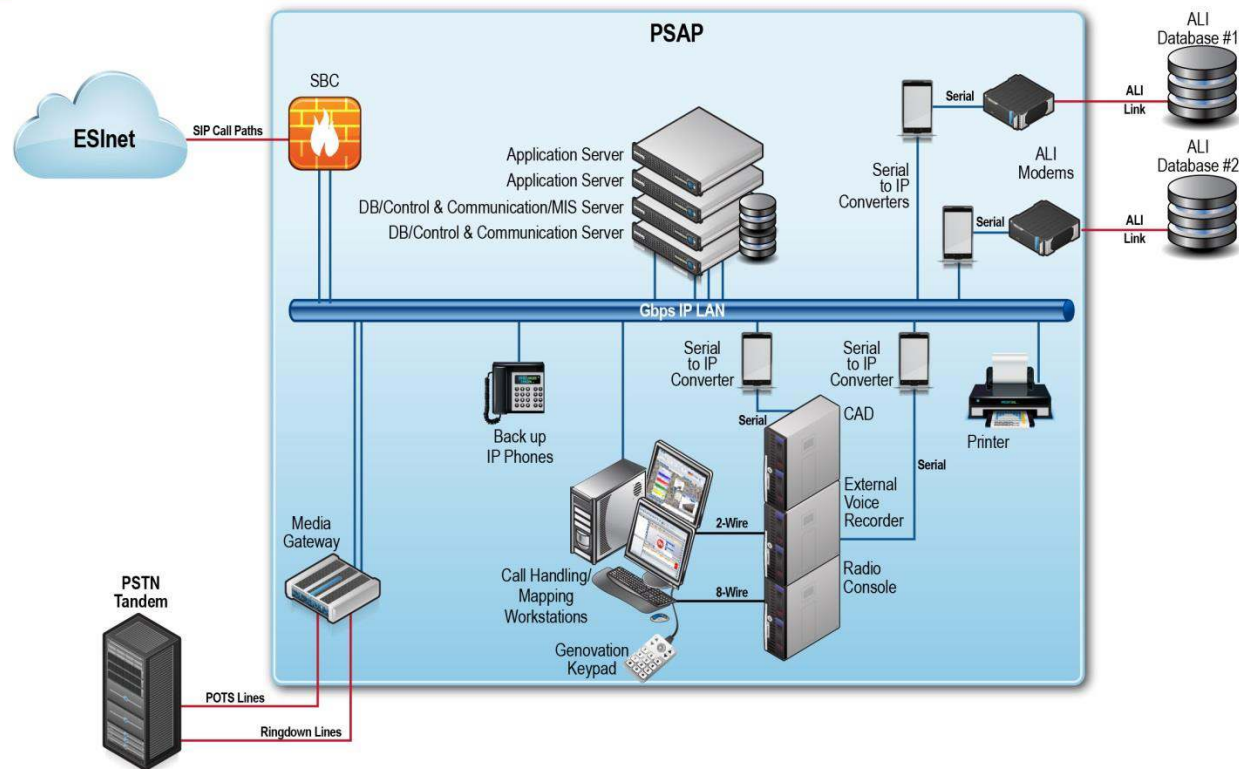
Call Routing Functions

- Sole Source
- Multi-Vendor
- Partial or Full
- Transitional configurations



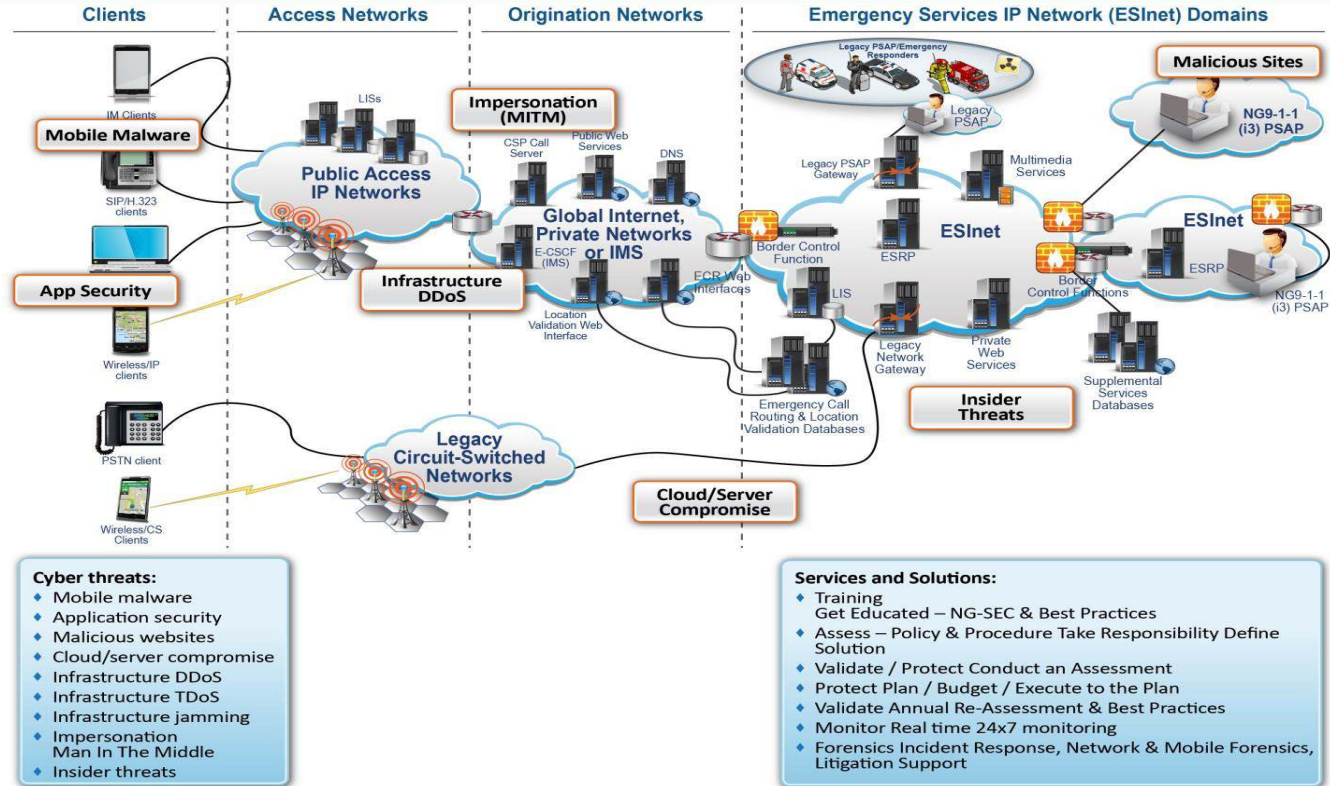
Call Handling and PSAP Functions

- Sole Source
- Multi-Vendor
- Legacy/ Native SIP
- Host/Remote or Local



Security: Who's on first?

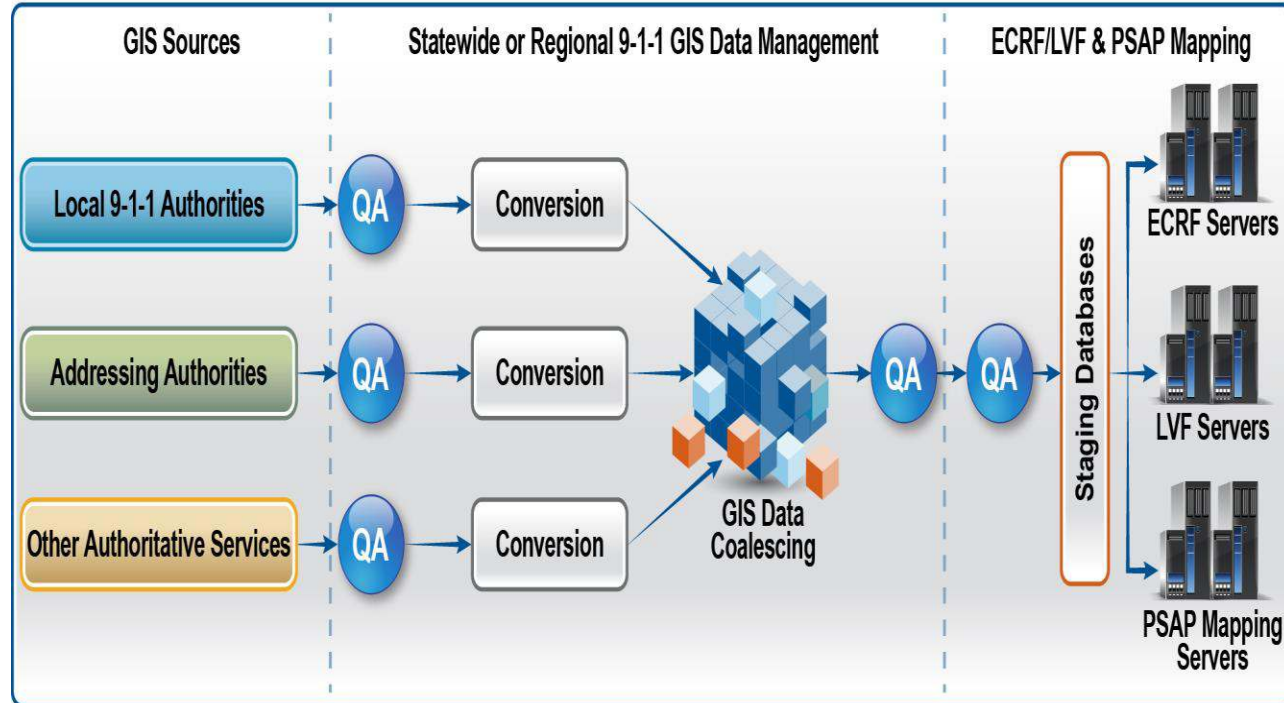
- Network
- Core
- Local PSAP



GIS: SI Functions

- Locally
- Regionally
- In house or external

NG9-1-1 GIS Provisioning System Overview



Operational Considerations

- Congratulations, now what's next?